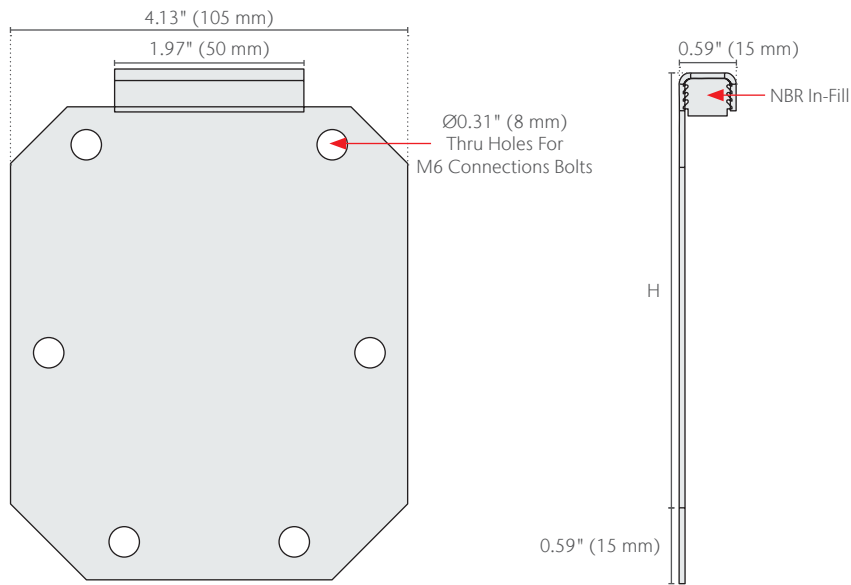


SlotDrain 20 - Closing End Cap



Part No.	Material	Height (H) in (mm)	Weight lbs
92324	AISI 304	2.76 (70)	0.4
92325	AISI 304	2.95 (75)	0.4
92326	AISI 304	3.15 (80)	0.5
92327	AISI 304	3.54 (90)	0.5
92328	AISI 304	3.94 (100)	0.5
92329	AISI 304	4.33 (110)	0.5
92330	AISI 304	4.72 (120)	0.5

Part No.	Material	Height (H) in (mm)	Weight lbs
92374	AISI 316L	2.76 (70)	0.4
92375	AISI 316L	2.95 (75)	0.4
92376	AISI 316L	3.15 (80)	0.5
92377	AISI 316L	3.54 (90)	0.5
92378	AISI 316L	3.94 (100)	0.5
92379	AISI 316L	4.33 (110)	0.5
92380	AISI 316L	4.72 (120)	0.5

Specification Summary

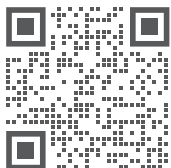
ACO SlotDrain 20 closing end caps. Overall width 4.13", total height varies. Made from 16 ga (1.5 mm) AISI 304 or AISI 316L, pickle passivated finish. All caps provided with NBR seal and connection bolts. Used on ACO Slot 20 channels.

ACO recommends checking local plumbing codes prior to installation.

ACO, Inc.

© January 2026 ACO, Inc.

All reasonable care has been taken in compiling the information in this document. All recommendations and suggestions on the use of ACO products are made without guarantee since the conditions of use are beyond the control of the company. It is the customer's responsibility to ensure that each product is fit for its intended purpose and that the actual conditions of use are suitable. ACO, Inc. reserves the right to change products and specifications without notice.



info@acousa.com
www.acousa.com

